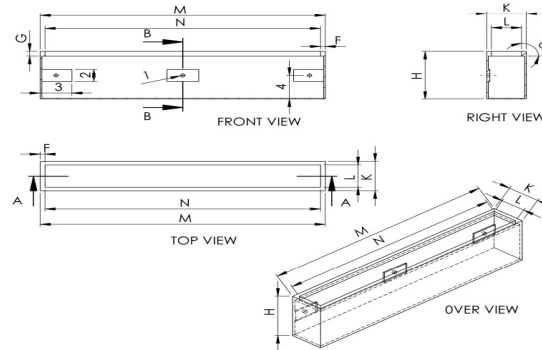


69315- NILE WALL PLANTER



Due to the handmade nature of our products, weights and dimensions may vary

| CODE | BREIF CODE | EXTERIOR DIMENSION | | | | | | | | | | | INTERIOR DIMENSION | | | | | SPECIAL SPECIFICATIONS | | | | | PRODUCT VOLUME (m ³) | PRODUCT VOLUME (gal) | Products weight (kg) | Products weight (lbs) | MAXIMUM LOAD (kg) | MAXIMUM LOAD (lbs) |
|----------|------------|--------------------|---|---|---------|--------|------------|--------|------------|-------------|------------------|----------|--------------------|-----|------|-----|----|------------------------|------------------|-----------------|--------------------|----------------------|----------------------------------|----------------------|----------------------|-----------------------|-------------------|--------------------|
| | | OVERAL DIMENSION | | | LENGTH | | | WIDTH | | HEIGHT | | | F | G | N | L | α | Dia Hinge <1> | Hinge length <2> | hinge width <3> | hinge distance <4> | number of hinges <5> | | | | | | |
| | | L | W | H | TOP (M) | MIDDLE | BOTTOM (A) | TOP(K) | BOTTOM (B) | OVERALL (H) | BODY HEIGHT (H') | FEET (h) | | | | | | | | | | | | | | | | |
| 69315.12 | 315.12 | 12 | 5 | 8 | 12 | 12 | 12 | 5 | 5 | 8 | 0 | 0 | 0.6 | 0.8 | 10.8 | 3.8 | 90 | 0.5 | 4 | 2 | 4 | 2 | 0.014 | 3.70 | 1.84 | 4.05 | 14 | 31 |
| 69315.24 | 315.24 | 24 | 5 | 8 | 24 | 24 | 24 | 5 | 5 | 8 | 0 | 0 | 0.6 | 0.8 | 22.8 | 3.8 | 90 | 0.5 | 4 | 2 | 4 | 3 | 0.026 | 6.97 | 2.92 | 6.42 | 26 | 58 |
| 69315.36 | 315.36 | 36 | 5 | 8 | 36 | 36 | 36 | 5 | 5 | 8 | 0 | 0 | 0.6 | 0.8 | 34.8 | 3.8 | 90 | 0.5 | 4 | 2 | 4 | 3 | 0.039 | 10.30 | 3.96 | 8.71 | 39 | 86 |